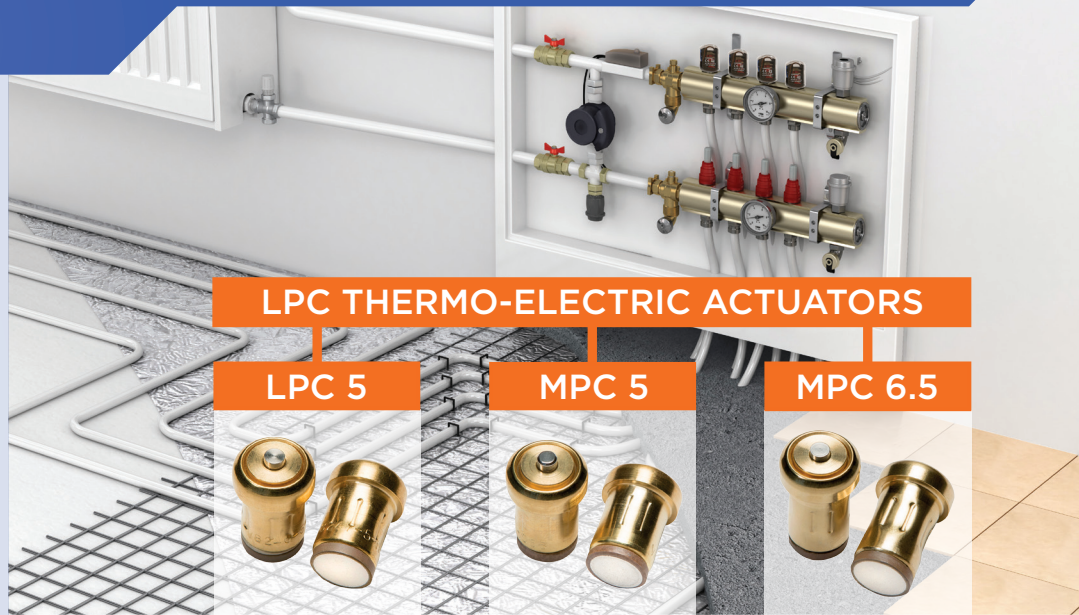


**LOW POWER  
CONSUMPTION**



**LPC THERMO-ELECTRIC ACTUATORS**

**LPC 5**

**MPC 5**

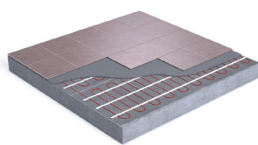
**MPC 6.5**

**TECHNOLOGY  
& FEATURES**

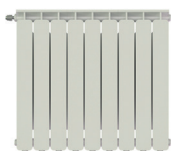
**VERNET Low Power Consumption Thermo-Electric Actuators** are thermostatic wax elements with ceramic pellets. Thermo-Electric Actuators transform electrical energy into force and movement thanks to the wax expansion and contraction.

	<b>LPC 5</b>	<b>MPC 5</b>	<b>MPC 6.5</b>
<b>Operating voltage</b>	24V, 230V	24V, 230V	24V, 230V
<b>Power consumption</b>	< 1w	1,5w	1,8w
<b>Ambient operating temperature</b>	Up to 60°C/140°F	Up to 60°C/140°F	Up to 60°C/140°F
<b>Stroke</b>	5.8mm/0,228"	5.65mm/0,222"	8.0mm/0,315"
<b>Stroke after endurance (100 000 cycles)</b>	5mm	5mm	6.5mm
<b>Minimum load</b>	40N	30N	40N
<b>Maximum load</b>	200N	200N	224N
<b>Response time</b>	Start to move: 145s 2/3 stroke : 230s	Start to move: 90s 2/3 stroke : 130s	Start to move: 140s 2/3 stroke : 250s

**APPLICATIONS**



Underfloor, Wall and Ceiling Heating / Cooling Systems



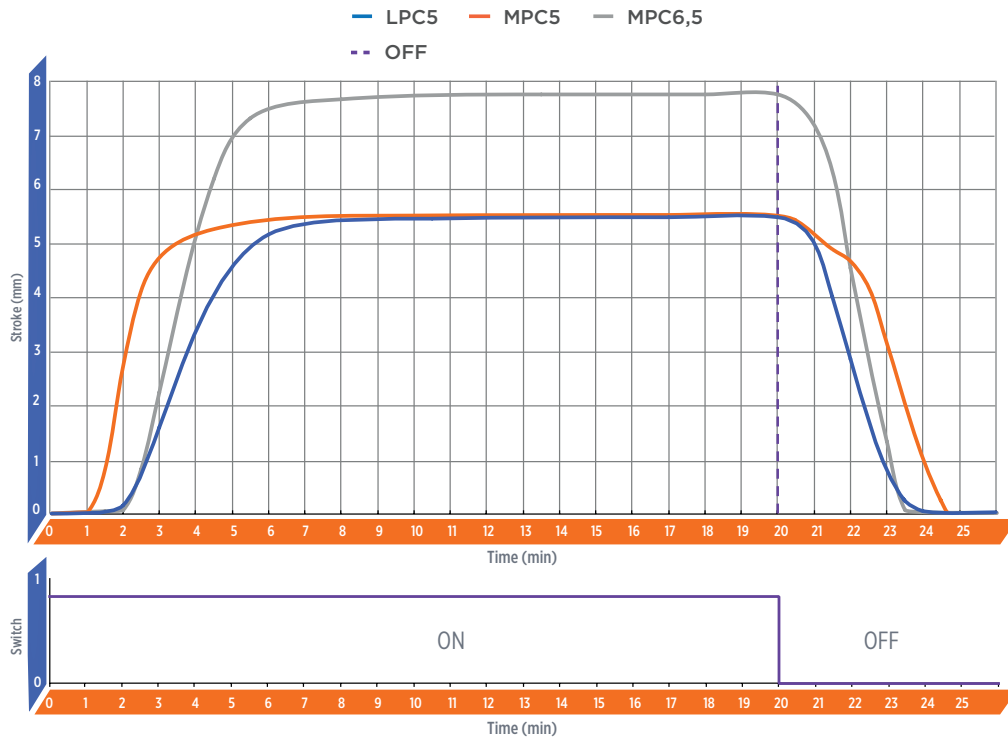
Radiators



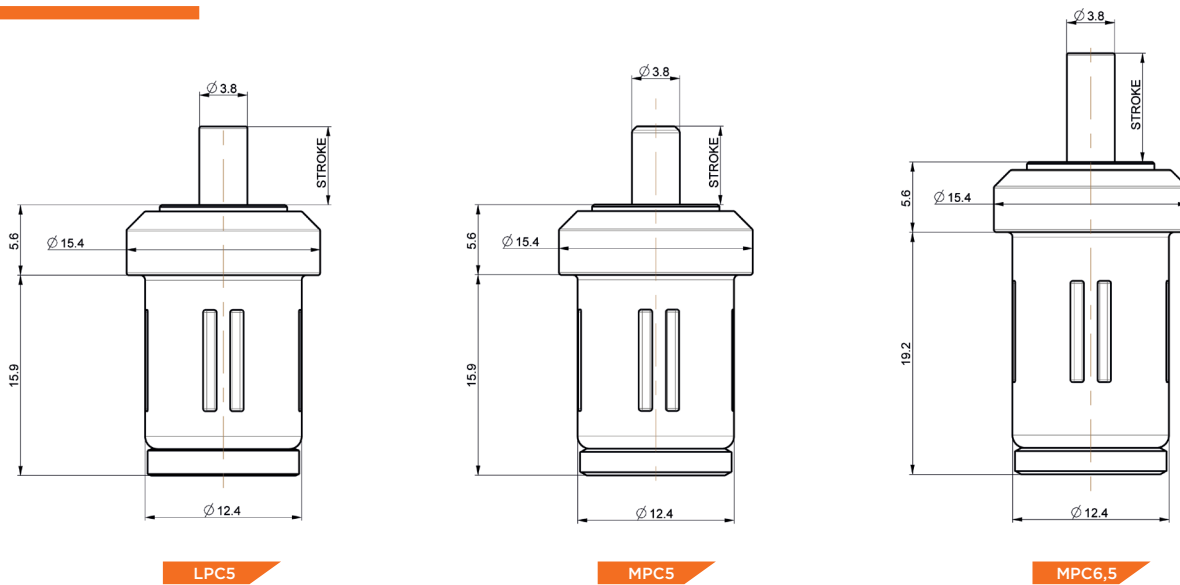
Valve Controls

**MAIN  
ADVANTAGES**

- / Low power consumption
- / Strong load-bearing capacity
- / Linear & silent movement
- / Long product life
- / Low cost
- / Compact size



## DIMENSIONS (in mm)



Technical drawings are available on request